

SETSOLAR offers top quality lightweight triple junction thin film solar panels, manufactured in a world class production plant (OEM) using guaranteed and certified materials.

SETSOLAR's FX solar module range is extremely durable and is easily integrated to provide power for a number of applications.

The FX100 thin film solar module has the following features:

- Portable
- Ultra light weight
- Flexible construction
- Damp proof and highly durable
- Laminated on polymer. No glass
- Improved thin film technology delivers higher energy yield per rated Wp, owing to a low temperature coefficient and excellent performance under low light conditions.
- Modules designed and manufactured according to IEC 61646 & IEC 61730 standards

## APPLICATIONS

- Boating ●
- Camping ●
- Rural Electrification ●

## CONTACT US

98 Bofors Circle, Epping Ind. 2  
Cape Town, South Africa, 7460  
Tel: 021 535 1978 or 021 535 1741  
Fax: 021 535 1651 or 021 535 2084  
Int: +27 21 535 1978  
[info@setsolar.co.za](mailto:info@setsolar.co.za)  
[www.setsolar.co.za](http://www.setsolar.co.za)



# SETSOLAR FX100

## TYPICAL PERFORMANCE CHARACTERISTICS

Model	FX100
Typical power (Wp)	10
Tolerance (%)	5%
Voltage at max.power (V)	16.5
Current at max.power (A)	0.6
Open circuit voltage (Voc)	23.8
Short circuit current (Isc)	0.74

Standard test conditions: 1000W/m<sup>2</sup>, AM1.5G and 25 degree C  
Electrical data above represent stabilized values at Standard test conditions (STC)

## MECHANICAL DATA

Dimension (mm)	L 538 × W 426 × T 15
Weight (Kg)	0.82
Cable length (mm)	500
Cable size (mm <sup>2</sup> )	2.5

## TEMPERATURE COEFFICIENTS

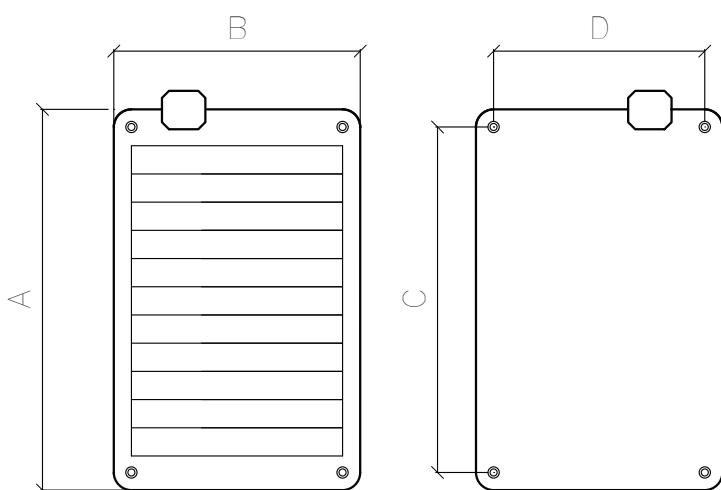
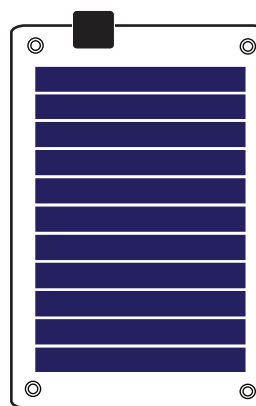
Maximum power (W)	- 0.21%/°C
Maximum power voltage (V)	- 0.31%/°C
Maximum power current (A)	+ 0.10%/°C
Open circuit voltage (V)	- 0.38%/°C
Short circuit current (A)	+ 0.10%/°C

## INSTALLATION LIMITATIONS

Maximum system voltage (V)	165
Operating module temperature	-40°C to +85°C

## WARRANTY

Product	90 Days
Power output	5 years / 90% yield



## DIMENSIONS

A	538
B	426
C	498
D	386

Dimensions in mm  
(tolerance +-2mm)